

XVR301-F Series



Key Features

- Support H.265/H.264 video formats
- Support audio over coaxial cable(only for TVI cameras)
- Support analog camera upgrade over coaxial cable
- Support TVI, AHD, CVI, CVBS, IP cameras with adaptive access
- 4/8-channel BNC input
- Support 1-ch HDMI output, 1-ch VGA output at up to 1920*1080
- HDMI and VGA simultaneous output
- Long transmission distance over coaxial cable
- Support mainstream cameras of ONVIF and RTSP protocols

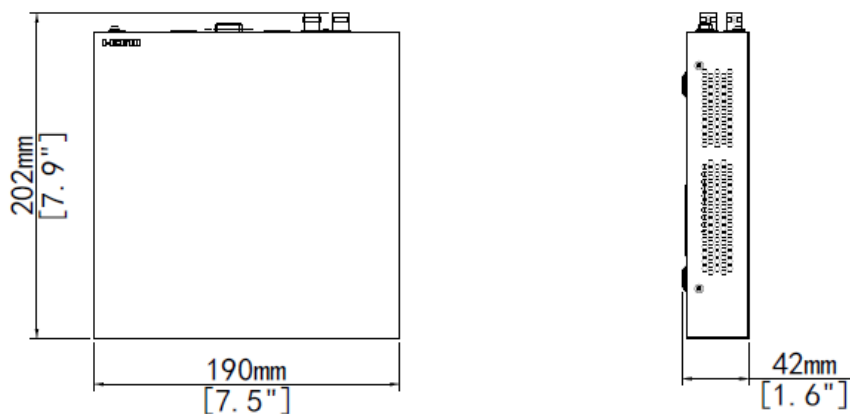
Specifications

Model	XVR301-04F	XVR301-08F
Video/Audio Input		
Analog Video Input	4-ch, BNC	8-ch, BNC
IP Video Input	2-ch(only IP up to 6ch), each channel up to 6MP	2-ch(only IP up to 10ch), each channel up to 6MP
Supported Analog Camera Types	Support AHD input: 1080P@30fps 720P@30fps Support TVI input: 1080P@30fps	Support AHD input: 1080P@30fps 720P@30fps Support TVI input: 1080P@30fps

	720P@30fps Support CVI input: 1080P@30fps 720P@30fps Support CVBS input	720P@30fps Support CVI input: 1080P@30fps 720P@30fps Support CVBS input		
Audio Compression	G.711U			
Video/Audio Output				
VGA Output	1920x1080p/60Hz, 1920x1080p/50Hz, 1600x1200/60Hz, 1280x1024/60Hz, 1280x720/60Hz, 1024x768/60Hz			
HDMI Output	1920x1080p/60Hz, 1920x1080p/50Hz, 1600x1200/60Hz, 1280x1024/60Hz, 1280x720/60Hz, 1024x768/60Hz			
Synchronous Playback	HD:4-ch SD:4-ch	HD:8-ch SD:8-ch		
Live view display	HDMI/VGA: 1/4/6/8/9	HDMI/VGA: 1/4/6/8/9/16		
Network				
Incoming Bandwidth	24Mbps (Up to 32Mbps after all analog channel conversion)	24Mbps (Up to 40Mbps after all analog channel conversion)		
Outgoing Bandwidth	48Mbps	64Mbps		
Remote Users	128			
Protocols	TCP/IP, P2P, UPnP, NTP, DHCP, HTTP, HTTPS, DNS, DDNS, SMTP			
Browser	IE(IE10/11) for Windows Firefox (version 52.0 and above) for Windows Chrome(version 45 and above) for Windows Edge(version 79 and above) for Windows			
Encoding				
Recording Resolution	1080P Lite/720P/D1	1080P Lite/720P/D1		
Recording Frame Rate	Main stream	Sub stream	Main stream	Sub stream
	1080P Lite@25fps 720P@30fps	D1@25fps D1@30fps	1080P Lite@15fps 720P@15fps	D1@12fps D1@15fps
Audio Sample Rate	8KHz,16 bit per channel			
Audio Bit Rate	64Kbps per channel			
Decoding				
Capability	Analog:4 x 1080P Lite@25, 4 x 720P@30 IP: 1 x 6MP@20, 2 x 1080P@30		Analog:8x 1080P Lite @15, 8x 720P @15 IP: 1 x 6MP@20, 2 x 1080P@30	
Hard Disk				
SATA	1 SATA interface			

Capacity	Up to 6TB for each HDD
General Alarm	
General Alarm	Motion detection
Alert Alarm	IP Conflict, Network Disconnected, Disk offline, Disk Abnormal, Illegal Access, Hard Disk Space Low, Hard Disk Full, Recording/Snapshot Abnormal
External Interface	
Network Interface	1 RJ45 10M/100M self-adaptive Ethernet Interface
USB Interface	Rear panel: 2 x USB2.0
General	
Power Supply	12V DC Power Consumption: ≤ 10 W(without HDD)
Working Environment	-10°C ~ + 55°C (+14°F ~ +131°F), Humidity ≤ 90% RH(non-condensing)
Dimensions(W×D×H)	190mm × 202mm × 42mm (7.5" × 7.9" × 1.6")
Weight (without HDD)	≤0.6 Kg (1.32lb)
Certification	
Certification	UL/CE/FCC /RoHS /WEEE

Dimensions



Rear Panel

Take XVR301-08F for example

